

EN

Sani Bathroom Radiator

400-600-800-1000

User manual



Model: Sani Bathroom Radiator

Date: 09/09/2025
Version: v6.0

EUROM[®]

POWERFUL PRODUCTS SINCE 1974

| Model: | Product code: |
|--|---------------|
| Sani Bathroom Radiator 400 Wi-Fi White | 352566 |
| Sani Bathroom Radiator 400 Wi-Fi White (Swiss plug) | 352573 |
| Sani Bathroom Radiator 400 Wi-Fi Black | 352580 |
| Sani Bathroom Radiator 400 Wi-Fi Black (Swiss plug) | 352597 |
| Sani Bathroom Radiator 600 Wi-Fi White | 352603 |
| Sani Bathroom Radiator 600 Wi-Fi White (Swiss plug) | 352610 |
| Sani Bathroom Radiator 600 Wi-Fi Black | 352627 |
| Sani Bathroom Radiator 600 Wi-Fi Black (Swiss plug) | 352634 |
| Sani Bathroom Radiator 800 Wi-Fi White | 352641 |
| Sani Bathroom Radiator 800 Wi-Fi White (Swiss plug) | 352658 |
| Sani Bathroom Radiator 800 Wi-Fi Black | 352665 |
| Sani Bathroom Radiator 800 Wi-Fi Black (Swiss plug) | 352672 |
| Sani Bathroom Radiator 1000 Wi-Fi White | 352689 |
| Sani Bathroom Radiator 1000 Wi-Fi White (Swiss plug) | 352696 |
| Sani Bathroom Radiator 1000 Wi-Fi Black | 352702 |
| Sani Bathroom Radiator 1000 Wi-Fi Black (Swiss plug) | 352719 |

Mandatory warnings

Please read and understand these safety instructions. Incorrect use can cause injury and will void EUROM's warranty.



WARNING

- This appliance is intended only for drying textiles washed in water.
- Make sure that the control panel of the heater is never covered or gets wet when you put textiles on the heating pipes of the appliance.



CAUTION

- Children of less than 3 years should be kept away unless continuously supervised.
- Children aged from 3 years and less than 8 years shall only switch on/off the appliance provided that it has been placed or installed in its intended normal operating position and they have been given supervision or instruction concerning use of the appliance in a safe way and understand the hazards involved. Children aged from 3 years and less than 8 years shall not plug in, regulate and clean the appliance or perform user maintenance.
- This appliance can be used by children aged from 8 years and above and persons with reduced physical, sensory or mental capabilities or lack of experience and knowledge if they have been given supervision or instruction concerning use of the appliance in a safe way and understand the hazards involved. Children shall not play with appliance. Cleaning and user maintenance shall not be done by children without supervision.
- Heater must not be located immediately below a socket-outlet.
- If the supply cord is damaged, it must be replaced by manufacturer, its service agent or similarly qualified persons in order to avoid a hazard.
- This heater is filled with a precise quantity of special liquid. Repairs requiring opening of the liquid container are only to be made by the manufacturer or his service agent who should be contacted if there is a liquid leak.
- When scrapping the heater, follow the regulations concerning the disposal of liquid.
- Heater is to be installed so that switches and other controls cannot be touched by a person in the bath or shower.

The device is equipped with an overheating protection, which switches it off automatically in case of internal overheating. Switch the device off, unplug the power plug, remove the source of overheating, let it cool down and use as normal. Do not use the device if the source of overheating cannot be traced or if the problem persists, but always contact your supplier.

Placement in bathroom

This device is safe to use in the bathroom when the device is mounted:

- in zone 3 of a toilet room or bathroom with a bath, shower with screen or shower without screen, see Figure 1;
- in a fixed position;
- out of reach for operation by a person in a bath or shower.

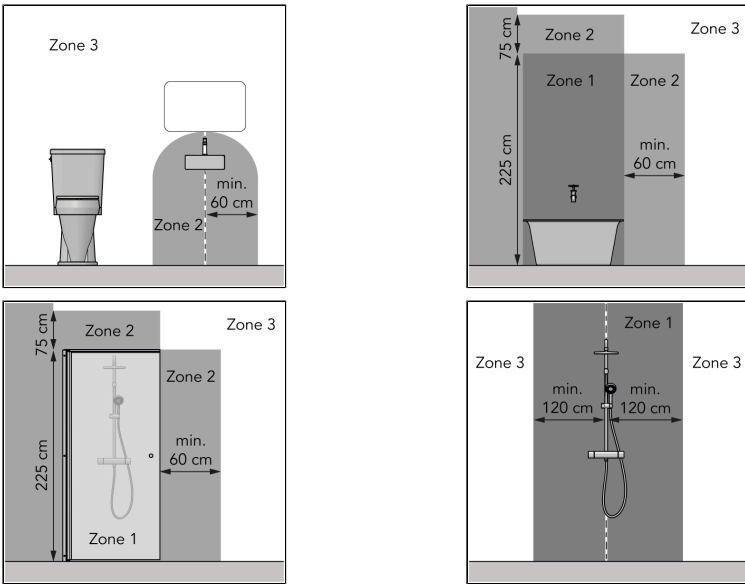


Figure 1.

General safety instructions



WARNING

- Prevent splashing water on or in the device.
- Do not immerse any part of the device in water or other liquids.
- Never insert fingers or other objects into the openings of the device.
- Do not expose the device to strong vibrations or mechanical stress.
- Maintain a safe distance of at least one meter from flammable items such as (shower) curtains, furniture, paper and similar.



WARNING

The device becomes very hot during use. Do not touch the device during use or within fifteen minutes after use.

Safety during operation

WARNING

Do not use the device:

- outdoors or in a small space (400W < 4 m³, 600W < 6 m³, 800W < 8 m³, 1000W < 10 m³);
- lying, leaning or standing;
- if any parts are dirty or the control panel is wet;
- near large objects, like behind a door, under a shelf or near a cupboard;
- near a water source, like a bath, shower, swimming pool or open window;
- near or in a dusty and dirty environment, like a construction site;
- near flammable materials, liquids or fumes, e.g. in a shed, stable or green house;
- near other heat sources and open fire;
- near, under or facing a socket outlet;
- with an appliance that automatically switches the device on, such as a timer, dimmer or any other device.



If the device, the electric cable or plug shows damage or is malfunctioning, immediately take the appliance out of use and disconnect the power supply.

Warranty

EUROM offers a 60-month warranty on this device from the date of purchase. The warranty does not cover wear and tear from normal use. The warranty expires if a defect is the result of unintentional or careless use of the device. The manufacturer, importer and supplier are not liable for incorrect connections.

Introduction

Thank you for choosing this EUROM device. You have purchased a quality device that you will enjoy for many years. Using this device with respect and care will reduce the risk of personal injury or material damage.



CAUTION

It is important to read and understand this instruction manual before assembling, installing and using the device.

This manual describes the correct and safe use of this device. Keep this manual for future reference. The manual is an essential part of the device and must be given to the new owner upon resale or exchange. This manual has been compiled with the utmost care. Nevertheless, we reserve the right to improve and adjust this manual at any time. The images used may differ.

The following symbols and terms are used in this manual to alert the reader to safety issues and important information:

**WARNING**

Indicates a hazardous situation which, if the safety instructions are not followed, can lead to injuries to the operator or bystanders, light and/or moderate damage to the product or to the environment.

**CAUTION**

Indicates a hazardous situation which, if the safety instructions are not followed, can lead to light and/or moderate damage to the product or to the environment.

Identification





| | | |
|--|---|---|
| EUROM [®] | Sani Bathroom Radiator | **** Wifi |
| POWERFUL PRODUCTS SINCE 1974 | | Art.nr. ***** Batch BCxxxx |
| 220-240V ~ 50-60Hz - *** Watt | | |
|  |  |  |
| | |  IP24 |
| EUROMAC B.V. - KOKOSSTRAAT 20 - 8281 JC - GENEMUIDEN - THE NETHERLANDS - info@eurom.nl | | |

Figure 2.





| | | |
|--|---|---|
| EUROM [®] | Sani Bathroom Radiator | **** Wifi Swiss plug |
| POWERFUL PRODUCTS SINCE 1974 | | Art.nr. ***** Batch BCxxxx |
| 220-240V ~ 50-60Hz - *** Watt | | |
|  |  |  |
| | |  IP24 |
| EUROMAC B.V. - KOKOSSTRAAT 20 - 8281 JC - GENEMUIDEN - THE NETHERLANDS - info@eurom.nl | | |

Figure 3.

Specifications

| Type | 400 | 600 | 800 | 1000 |
|--------------------|----------------------|----------------------|----------------------|----------------------|
| Product size: | 50 x 60 cm | 50 x 80 cm | 50 x 100 cm | 50 x 120 cm |
| Weight: | 6.6 kg | 8.8 kg | 10.7 kg | 13.0 kg |
| Voltage: | 220-240V~ 50-60Hz | 220-240V~ 50-60Hz | 220-240V~ 50-60Hz | 220-240V~ 50-60Hz |
| Power: | 400W | 600W | 800W | 1000W |
| Protection rating: | IP24 | IP24 | IP24 | IP24 |
| Protective class: | Class I | Class I | Class I | Class I |

Hereby, Euromac b.v. declares this product is in compliance with Directive 2014/53/EU.

The full text of the EU declaration of conformity is available at the following internet address:
www.eurom.nl/declaration-of-conformity.

- Wi-Fi and Bluetooth Frequency Band: 2.4 ~ 2.4835GHz
- Maximum radio-frequency power transmitted in this frequency band(s):
 - Wi-Fi: 17.5dBm
 - Bluetooth: 6.5dBm

Description

The Sani Bathroom Radiator is an easy-to-use electric bathroom heater for use in zone 3 of the bathroom (see Placement in bathroom). The Sani Bathroom Radiator can be used with the Eurom Smart App.

Unboxing

1. Main device
2. Heating pipes
3. Control panel and LED display
4. Power plug

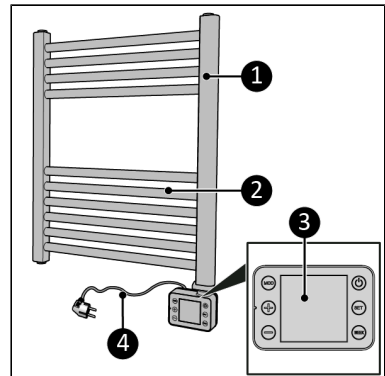


Figure 4.

Control panel and display

1. ON/OFF button
2. LED display
3. SET button
4. WEEK button
5. Minus button
6. Plus button
7. MOD button

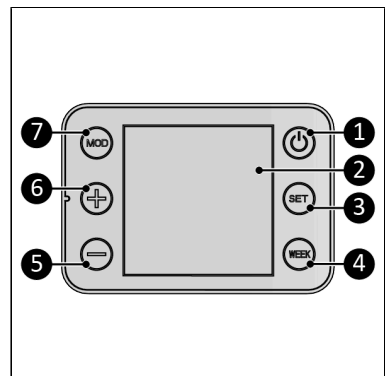


Figure 5.

LED display

The LED display will go dark if no adjustments are made for 2 minutes. The LED display will light up again when you press a button.

Status indication (Figure 6, pos. 1):

- The 3 suns indicate whether the heater is heating or not.
- The Wi-Fi symbol indicates if there is a Wi-Fi connection.
- The “R” indicates that the ROOM heating function is active.
- The “T” indicates that the TOWEL heating function is active.

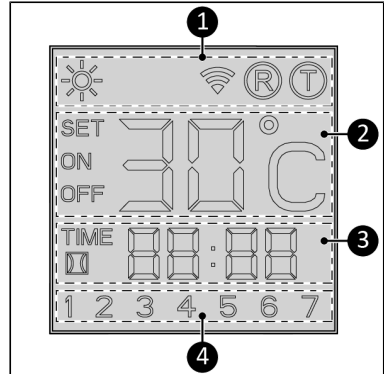


Figure 6.

Temperature indication (Figure 6, pos. 2):

- SET indicates that the day or time can be set, or that the SET temperature is shown on display.
- ON indicates that the heater is switched on.
- OFF indicates that the heater has been switched off with the stand-by button.
- Temperature shown in degree Celsius.

Time indication (Figure 6, pos. 3):

- Time shown in 24-hours format.
- Open window detection is active.

Day indication (Figure 6, pos. 4):

- Number corresponds with the day of the week: 1 = Monday, 2 = Tuesday, and so on.

Transport and storage

- Clean the device before storing it.

Assembly



WARNING

Plastic bags can be dangerous. To avoid danger of suffocation, keep this bag away from babies and children.

The device is packed in one box. Remove all packaging material and check that the device is not damaged. Do not use the device if it is damaged, but always contact your supplier. Keep the packaging for safe storage and transport.

Wall mounting



WARNING

The wall used for mounting must be made from non-flammable material and should be able to withstand a minimum temperature of 125 °C.



CAUTION

Make sure to use suitable fastening materials, depending on the surface. Never block the space between the device and the wall.

1. Place the device on a non-flammable and solid wall.
2. Place the device with a minimum distance (Figure 7) of:
 - 15 cm from the ceiling;
 - 15 cm from the side walls;
 - 60 cm from the floor;
 - 50 cm clearance on the front side.
3. Do not mount the device:
 - immediately below a socket outlet;
 - on a ceiling or roof.

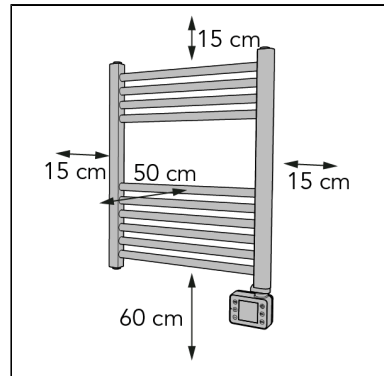


Figure 7.

4. Drill two top holes for the dowels with 392 mm horizontal distance between the holes (Figure 8, pos. C). Use the distances from the list below to ensure a distance to the floor of at least 60 cm below the unit (Figure 8, pos. A).
 - Sani Bathroom Radiator 400: 1110 mm;
 - Sani Bathroom Radiator 600: 1310 mm;
 - Sani Bathroom Radiator 800: 1510 mm;
 - Sani Bathroom Radiator 1000: 1710 mm;
5. Drill two bottom holes for the wall plus with 392 mm horizontal distance between the holes (Figure 8, pos. C). The vertical distance between the bottom and top holes is approximately (Figure 8, pos. B):

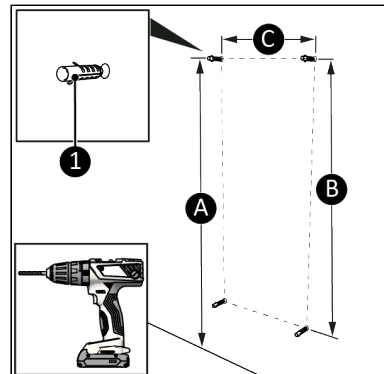


Figure 8.

- Sani Bathroom Radiator 400: 440 mm;
- Sani Bathroom Radiator 600: 640 mm;
- Sani Bathroom Radiator 800: 840 mm;
- Sani Bathroom Radiator 1000:
1040 mm;

6. Place the wall plugs and provided rings (Figure 9, pos. 1).
7. Screw the four outer wall brackets with self-tapping screws (Figure 9, pos. 2) and spacer rings (Figure 9, pos. 1) into the four plugs.
8. Slide the square nuts into the designated slots of the inner wall brackets.
9. Attach the four inner wall brackets (Figure 9, pos. 3) to the outer wall brackets with small screws (Figure 9, pos. 4) using a Phillips screwdriver.

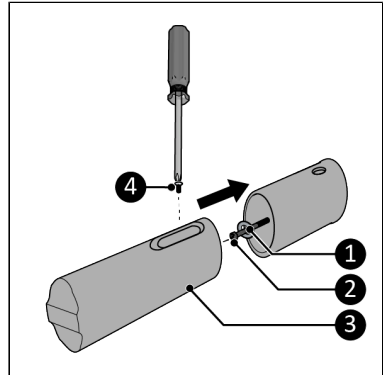


Figure 9.

10. Place the device (Figure 10, pos. 1) over the wall brackets.
11. Screw and tighten the device with four large screws (Figure 10, pos. 3) to the wall bracket (Figure 10, pos. 2) using a Phillips screwdriver (Figure 10, pos. 4).
12. Place the four sealing caps.

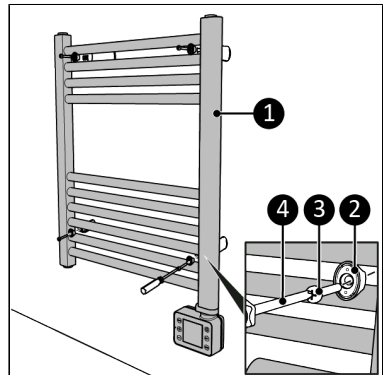


Figure 10.

Installation



WARNING

Never use an extension cord to provide power to the device.



CAUTION

Make sure that the main voltage is the same as indicated on the identification label of the device. All electrical connections must stay dry under all circumstances.

1. Make sure the device is correctly mounted.
2. Place the power plug into a wall socket (Figure 11, pos. 1) that is easily accessible. Use a wall socket with a minimum power of 1000 Watt.
3. The ON/OFF indicator will light up.

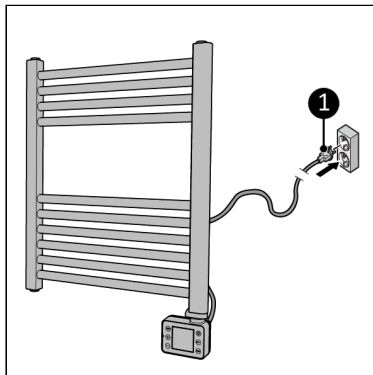


Figure 11.

Operation



WARNING

Before every use, make sure that:

- you operate the device with dry hands;
- the device is clean and dry;
- the device is not damaged;
- the device is not covered or blocked;
- the device is securely mounted.



CAUTION

- When the device is turned on or off, it may emit a sound. This is material expanding and shrinking during heating and cool-down.
- The day and time settings will be lost if the device is switched off using the ON/OFF switch, is unplugged or is used without Wi-Fi connection.

1. Press the ON/OFF button to turn on the device.
2. Press and hold the SET button until SET appears on screen.
3. Press the + and – button to turn Open window detection mode ON or OFF:
 - When the ambient temperature decreases 8°C or more within 15 minutes, the device will go in standby mode and the Open window indicator starts flashing on the display. Open window detection mode is only available in room mode (R).
4. Press the SET button to confirm.
5. Use the + and - button to select the current day, from 1 (Monday) to 7 (Sunday). Confirm with the SET button.
6. Use the + and - buttons to set the correct time:

- Hours, confirm with the SET button;
 - Minutes, confirm with the SET button.
7. Press the MOD button to choose the desired function: room (R) or towel (T).

Room mode

Room mode will heat up the complete bathroom. In room mode the device will measure the temperature in the bathroom. If the set temperature is higher then the measured room temperature the device will keep on heating. If the room temperature is higher then the set temperature the device will stop heating. In Room mode the temperature can be set from 0 to 37°C.

Towel mode

Towel mode will heat up or dry your towels. In towel mode the heater will measure the temperature from the heating pipes. If the set temperature is higher then the measured temperature the device will keep on heating. If the measured temperature is higher then the set temperature the heater will stop heating. In Towel mode the temperature can be set from 40 to 70°C.

Weekly timer setting

1. Press and hold the WEEK button until '01' or '[' starts to blink on the screen.
2. Use the plus and minus buttons to choose the desired setting:
 - 01 – one-off setting (must fall in the current week).
 - '[' – every week setting.
3. Confirm with the SET button.
4. Use the plus and minus buttons to choose the desired anticipation setting:
 - ON – the heater will anticipate the temperature 20 minutes before it is set. If it needs to be heated, the heater will heat with high capacity in order to heat the room to the desired temperature by the activation time.
 - OFF – the heater will not anticipate the temperature and will turn on at the set time*.
5. Confirm with the SET button, 01 SET ON appears on the screen.
6. Use the plus and minus buttons to select:
 - the desired day (from 1 (Monday) to 7 (Sunday), confirm with the SET button.
7. Use the plus and minus button to select the desired mode:
 - Room mode (AA), confirm with the SET button;
 - Towel mode (T), confirm with the SET button.
8. Use the plus and minus buttons to select the desired temperature:
 - Room mode: 0 – 37°C, confirm with the SET button;
 - Towel mode: 40 – 70°C, confirm with the SET button.
9. SET ON will appear on the screen.
10. Use the plus and minus buttons to indicate the activation time:
 - the desired hours, confirm with the SET button;
 - the desired minutes, confirm with the SET button.
11. 01 SET OFF will appear on the screen; repeat step 10 to indicate the deactivation time.
12. 02 appears on the screen, there are two options:

- Set the next activation and deactivation times, repeat step 10 and 11 for every desired time. Make sure the timer settings do not contradict each other: maximum 28 per week, maximum 4 per day.
- If you are done setting the activation and deactivation times, wait until the screen returns to standard settings.

View weekly timer setting

1. Press the WEEK button repeatedly. You will see the following timer settings, one after the other:
 - one-off or repeated;
 - Room or Towel mode;
 - temperature setting;
 - timer on-time;
 - timer off-time;
 - next timer setting.

All 28 timer settings are shown, including the settings that have not been configured.

Turning off weekly timer setting

1. Press and hold the WEEK button until '01' or ']' appears on the screen.
2. Press and hold the MOD button until TIME disappears from the screen, which indicates that the data will be retained but will not be active. By pressing the MOD button again until TIME appears, you will reactivate the timer.

Deleting weekly timer setting

Timer settings can only be deleted with the buttons on the control panel.

1. Press and hold the WEEK button until '01' or ']' appears on the screen.
2. Go past '01-]' and on/off first by pressing SET briefly.
3. When the number of the timer setting that you want to delete appears, press the SET button for a little longer. You will hear a short beep and the selected setting will have been deleted.
4. If you want to delete all timer settings, press and hold the WEEK button until '01' or ']' appears on the screen. Press and hold the MOD and SET buttons at the same time, until you hear a beep. The screen will show 88:88, indicating that all settings have been deleted.

Eurom Smart App



CAUTION

Do not use the weekly timer created with the device at the same time as the weekly timer created with the Eurom Smart App. Timer settings created by the Eurom Smart App are not visible on the device display. Timer settings created on the device are not visible in the Eurom Smart App.



CAUTION

It is recommended to switch on Bluetooth on your smart phone when connecting your Eurom device for the first time. Doing so will make connecting quicker and easier.

The device can be operated using an app on a smartphone or tablet. The Eurom Smart App can be used to:

- switch the device on and off;
- regulate the temperature;
- activate the ECO mode;
- activate the frost protection mode.

The app can also be used to set twenty on and off timer settings daily, on the weekly timer.

1. Open the Eurom Smart App manual with the QR code (Figure 12) or go to www.eurom.nl/nl/manuals.
2. Complete the steps in the Eurom Smart App manual.
 - When the device is connected with Wi-Fi, the Wi-Fi symbol appears on the screen.
 - If the Wi-Fi symbol is blinking there is no connection.

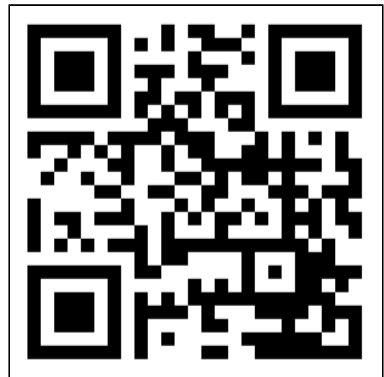


Figure 12.

Smart Timer

1. Create a schedule with days and times in the Eurom Smart App. Timer settings set in the app:
 - will be stored on the device;
 - will not be visible on the device;
 - will remain available if Wi-Fi disconnects;
 - will remain available if the device is switched off or unplugged;
 - can only be removed via the app.
2. Check the data in the app regularly.

Reset Wi-Fi connection

1. Press and hold the MOD button until a beep sounds. Existing connections will be deleted. The Wi-Fi symbol will start blinking and a new connection can be made.

Switch off Wi-Fi connection

1. Press and hold the ON/OFF button until a beep sounds. The Wi-Fi is switched off and the Wi-Fi symbol will disappear from the screen.
2. Press and hold the ON/OFF button until a beep sounds. The Wi-Fi is switched on and the Wi-Fi symbol will appear on the screen.

ECO mode

The Eurom Smart App has an ECO button. ECO mode maintains the room temperature at 16°C.

1. Press the ECO button to activate; EC appears on the screen.
2. Press the ECO button to deactivate.

If the device is working in ECO mode and a timer setting becomes active, the device will start working according to the timer setting. When the timer setting ends, the device will not return to ECO mode.

Frost protection mode

The Eurom Smart App has a frost protection button, which can be pressed to create and maintain a room temperature of 5°C.

1. Press the frost protection button to activate; FP appears on the screen.
2. Press the frost protection button to deactivate.

If the device is working in frost protection mode and a timer setting becomes active, the device will start to work according to the timer setting. When the timer setting ends and the device goes off, the device will not return to the frost protection mode.

After operation



CAUTION

Do not use the power cable to unplug or carry the device. Do not wind the power cable too tightly or in sharp corners. Do not wrap the power cable around the device.

1. Press the ON/OFF button to put the device in standby mode.
2. Disconnect the power plug from the power outlet.
3. Let the device cool down before touching it.
4. Wind the power cable.

Maintenance



WARNING

Do not perform any repairs or modifications to this device.

Maintenance and repairs must be carried out by a EUROM authorized professional. If the electric cable and/or electric plug is damaged, it should be replaced by the manufacturer or its service employee or persons with similar qualifications to prevent risks.

Cleaning

CAUTION

Do not use:

- scouring pads;
- hard brushes;
- flammable, aggressive or chemical cleaning products.



Prevent water from entering the device. Do not immerse any part of the device in water or other liquids.

It is recommended to clean the device after each use and prior to storage.

1. Carefully vacuum the openings to remove dust and dirt.
2. Wipe the device with a damp, clean, soft, lint-free cloth or a soft brush.
3. Let the device dry completely prior to use and storage.

Disposal



This marking indicates that this product should not be disposed of with other household waste throughout the EU. To prevent possible harm to the environment or human health from uncontrolled waste disposal, recycle it responsibly to promote the sustainable reuse of material resources. To return your used device, please use the return and collection systems or contact the retailer where the product was purchased. They can take this product for environmentally safe recycling.

Attachments

| Information requirement for electric local space heaters | | | | | |
|--|---|-------|--|---|------|
| Model identifier(s): Sani Bathroom Radiator 400 | | | | | |
| Item | Symbol | Value | Unit | Item | Unit |
| Heat output | | | Type of heat output/room temperature control (select one) | | |
| Nominal heat output | P _{nom} | 0,400 | kW | single stage heat output and no room temperature control | no |
| Minimum heat output (indicative) | P _{min} | N.A. | kW | two or more manual stages, no room temperature control | no |
| Maximum continuous heat output | P _{max,c} | 0,405 | kW | with mechanic thermostat room temperature control | no |
| Power consumption | | | with electronic room temperature control | | |
| In off mode | P _o | N.A. | W | electronic room temperature control plus day timer | no |
| In standby mode | P _{sm} | 0,398 | W | electronic room temperature control plus week timer | yes |
| In idle mode | P _{idle} | 0,99 | W | Other control options (multiple selections possible) | |
| In network standby | P _{nsm} | 1,027 | W | room temperature control, with presence detection | no |
| Standby mode with display of information status | | | yes | room temperature control, with open window detection | yes |
| Seasonal space heating energy efficiency in active mode | η _{S,on} | 49,5 | % | distance control option | yes |
| | | | | adaptive start control | no |
| | | | | working time limitation | yes |
| | | | | black bulb sensor | no |
| | | | | self-learning functionality | no |
| | | | | control accuracy | no |
| Contact details | Eurom - Kokosstraat 20 - 8281 JC - Genemuiden - The Netherlands | | | | |

| Information requirement for electric local space heaters | | | | | |
|--|---|-------|--|---|------|
| Model identifier(s): Sani Bathroom Radiator 600 | | | | | |
| Item | Symbol | Value | Unit | Item | Unit |
| Heat output | | | Type of heat output/room temperature control (select one) | | |
| Nominal heat output | P _{nom} | 0,600 | kW | single stage heat output and no room temperature control | no |
| Minimum heat output (indicative) | P _{min} | N.A. | kW | two or more manual stages, no room temperature control | no |
| Maximum continuous heat output | P _{max,c} | 0,610 | kW | with mechanic thermostat room temperature control | no |
| Power consumption | | | with electronic room temperature control | | |
| In off mode | P _o | N.A. | W | electronic room temperature control plus day timer | no |
| In standby mode | P _{sm} | 0,398 | W | electronic room temperature control plus week timer | yes |
| In idle mode | P _{idle} | 0,99 | W | Other control options (multiple selections possible) | |
| In network standby | P _{nsm} | 1,027 | W | room temperature control, with presence detection | no |
| Standby mode with display of information status | | | yes | room temperature control, with open window detection | yes |
| Seasonal space heating energy efficiency in active mode | η _{S,on} | 49,5 | % | distance control option | yes |
| | | | adaptive start control | | |
| | | | working time limitation | | |
| | | | black bulb sensor | | |
| | | | self-learning functionality | | |
| | | | control accuracy | | |
| Contact details | Eurom - Kokosstraat 20 - 8281 JC - Genemuiden - The Netherlands | | | | |

| Information requirement for electric local space heaters | | | | | |
|--|---|-------|--|---|------|
| Model identifier(s): Sani Bathroom Radiator 800 | | | | | |
| Item | Symbol | Value | Unit | Item | Unit |
| Heat output | | | Type of heat output/room temperature control (select one) | | |
| Nominal heat output | P _{nom} | 0,800 | kW | single stage heat output and no room temperature control | no |
| Minimum heat output (indicative) | P _{min} | N.A. | kW | two or more manual stages, no room temperature control | no |
| Maximum continuous heat output | P _{max,c} | 0,815 | kW | with mechanic thermostat room temperature control | no |
| Power consumption | | | with electronic room temperature control | | |
| In off mode | P _o | N.A. | W | electronic room temperature control plus day timer | no |
| In standby mode | P _{sm} | 0,398 | W | electronic room temperature control plus week timer | yes |
| In idle mode | P _{idle} | 0,99 | W | Other control options (multiple selections possible) | |
| In network standby | P _{nsm} | 1,027 | W | room temperature control, with presence detection | no |
| Standby mode with display of information status | | | yes | room temperature control, with open window detection | yes |
| Seasonal space heating energy efficiency in active mode | η _{S,on} | 49,5 | % | distance control option | yes |
| | | | adaptive start control | | |
| | | | working time limitation | | |
| | | | black bulb sensor | | |
| | | | self-learning functionality | | |
| | | | control accuracy | | |
| Contact details | Eurom - Kokosstraat 20 - 8281 JC - Genemuiden - The Netherlands | | | | |

| Information requirement for electric local space heaters | | | | | |
|--|---|-------|--|---|------|
| Model identifier(s): Sani Bathroom Radiator 1000 | | | | | |
| Item | Symbol | Value | Unit | Item | Unit |
| Heat output | | | Type of heat output/room temperature control (select one) | | |
| Nominal heat output | P _{nom} | 1,000 | kW | single stage heat output and no room temperature control | no |
| Minimum heat output (indicative) | P _{min} | N.A. | kW | two or more manual stages, no room temperature control | no |
| Maximum continuous heat output | P _{max,c} | 1,012 | kW | with mechanic thermostat room temperature control | no |
| Power consumption | | | with electronic room temperature control | | |
| In off mode | P _o | N.A. | W | electronic room temperature control plus day timer | no |
| In standby mode | P _{sm} | 0,398 | W | electronic room temperature control plus week timer | yes |
| In idle mode | P _{idle} | 0,99 | W | Other control options (multiple selections possible) | |
| In network standby | P _{nsm} | 1,027 | W | room temperature control, with presence detection | no |
| Standby mode with display of information status | | | yes | room temperature control, with open window detection | yes |
| Seasonal space heating energy efficiency in active mode | η _{S,on} | 49,5 | % | distance control option | yes |
| | | | adaptive start control | | |
| | | | working time limitation | | |
| | | | black bulb sensor | | |
| | | | self-learning functionality | | |
| | | | control accuracy | | |
| Contact details | Eurom - Kokosstraat 20 - 8281 JC - Genemuiden - The Netherlands | | | | |

Kokosstraat 20, 8281 JC Genemuiden, The Netherlands

T: (+31) 038 385 43 21

E: info@eurom.nl

I : www.eurom.nl

Model: Sani Bathroom Radiator

Date: 09/09/2025

Version: v6.0

EUROM[®]

POWERFUL PRODUCTS SINCE 1974